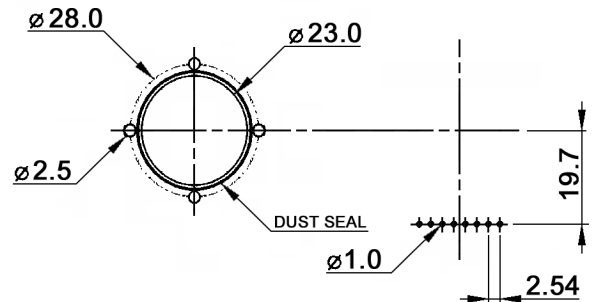


MOUNTING HOLE
DETAIL

P.C.B. HOLE
DETAIL



Specifications:

Technology:	Hall-effect
Power supply:	5 V DC +/-10%, 10 mA +/-10%
Output:	0.5 to 4.5 V DC
Output current:	8 mA max.
Output load:	10 kOhm
Operating temperature:	-40°C to +85°C
Mech. & electrical life:	1 000 000 operations min.
Operating force:	7 N +/-30%
Centering:	Spring-return
Switches:	Rating: 10 mA, 12 V
	Insulation resistance: 100 MOhm min. at 250 V DC
	Dielectric strength: 300 Vrms (50 Hz) for 1 minute
	Travel: 0.5 mm +/-0.1

Compliance: RohS III (2015/863/EU)

Tolerances:	Date	Name
		10/22

JSH 32 P5S000PR

knitter-switch

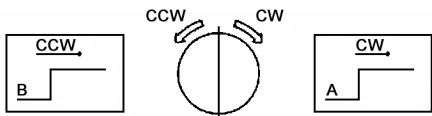
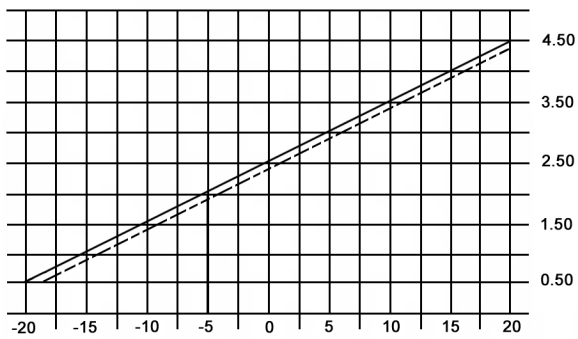
30 48 85

Page

1/2

Modifications	Date	Name

JOYSTICK OUTPUT WAVEFORM

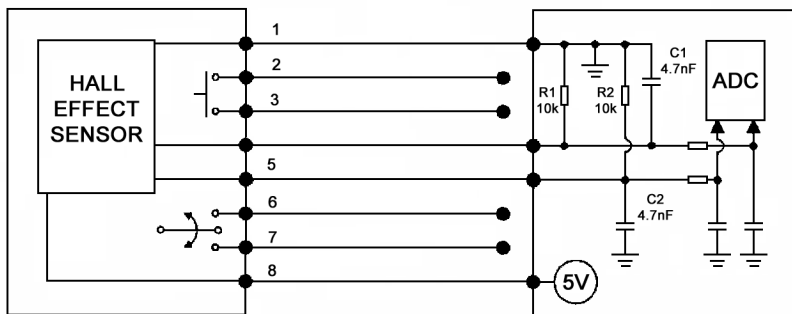


-X, -Y TRAVEL ← → +X, +Y TRAVEL

NOMINAL OUTPUT VOLTAGE ALL DIRECTION

——— OUTPUT 1
 - - - - - OUTPUT 2

SCHEMATIC



Terminal	Function	Cable color
1	ground	black
2	push switch	orange
3	push switch	orange
4	output 1	blue
5	output 2	yellow
6	momentary turn CCW	gray
7	momentary turn CW	white
8	power 5 V	red

Compliance: RohS III (2015/863/EU)

Tolerances:	Date	Name	JSH 32 P5S000PR
	10/22	dr	
			30 48 85
Modifications	Date	Name	knitter-switch